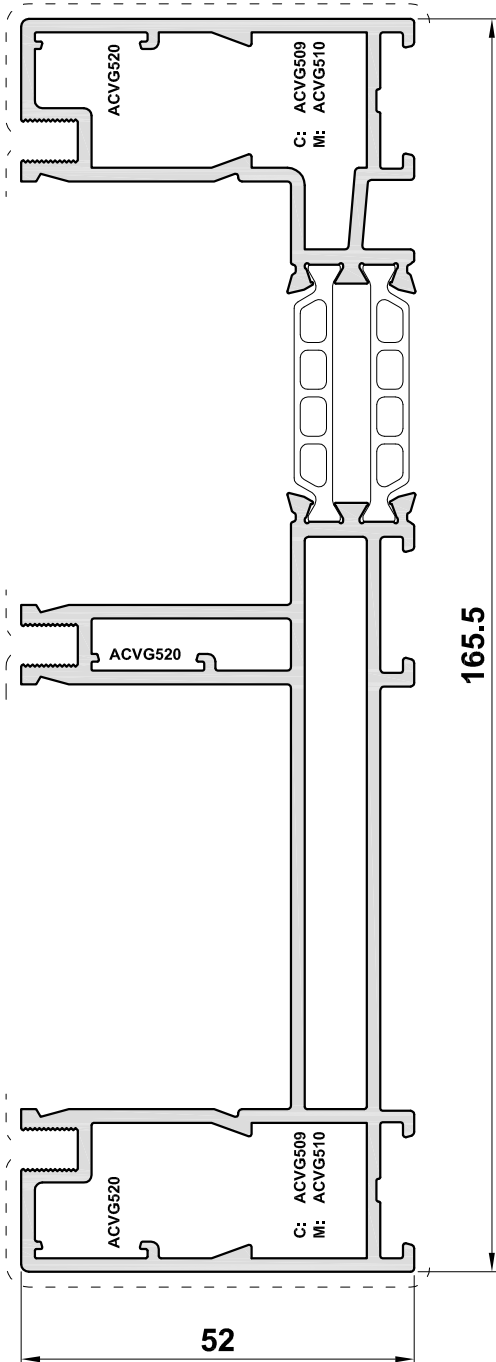


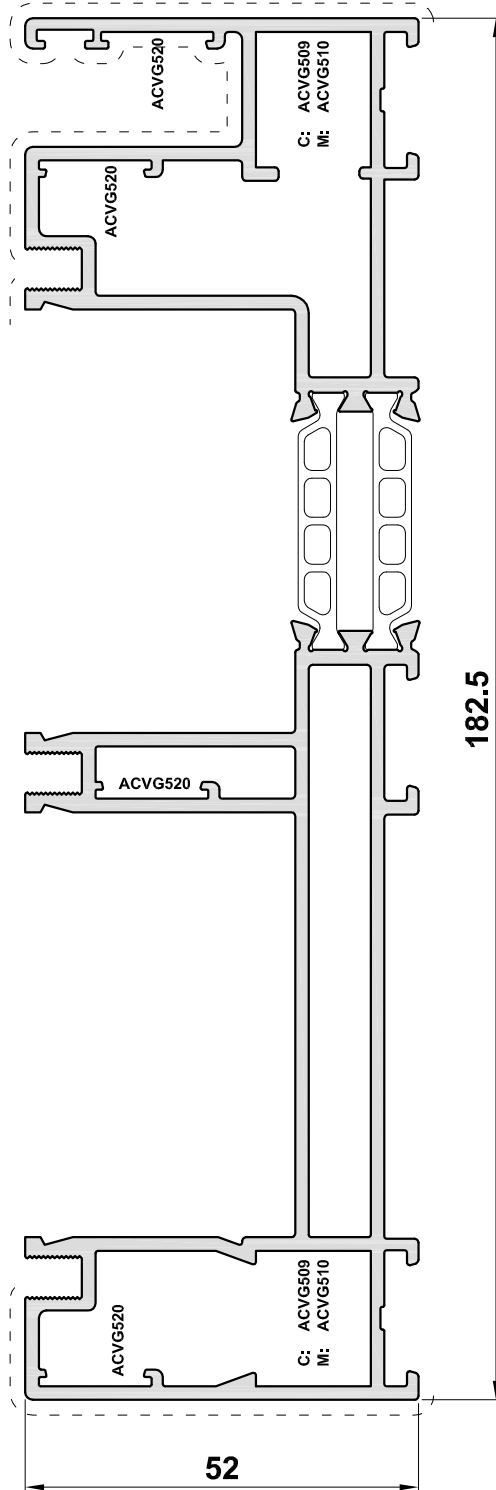
Primary Visible Side

Secondary Visible Side

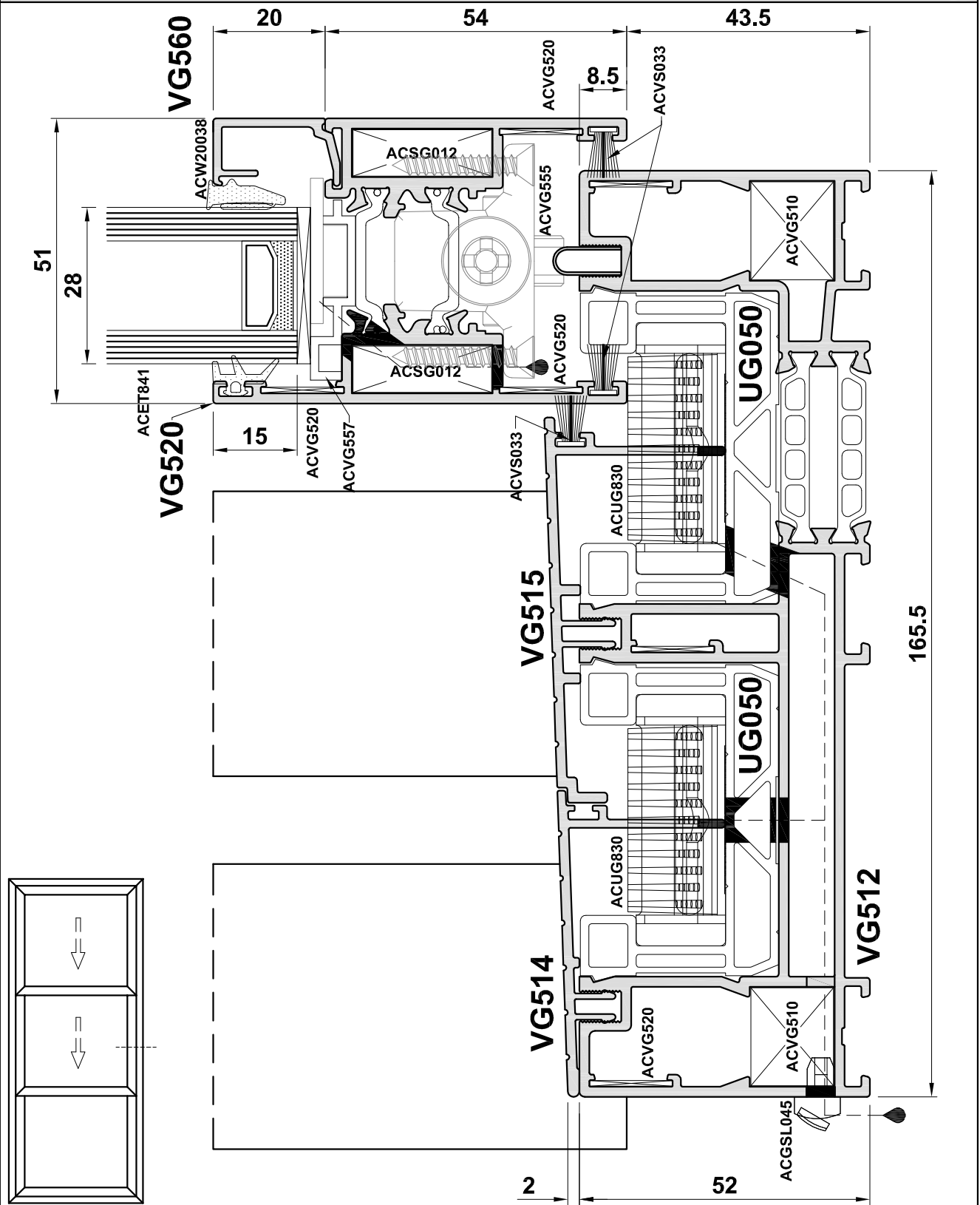
## VG512 Three Track Outer Frame



## VG513 Three Track Outer Frame with Upstand

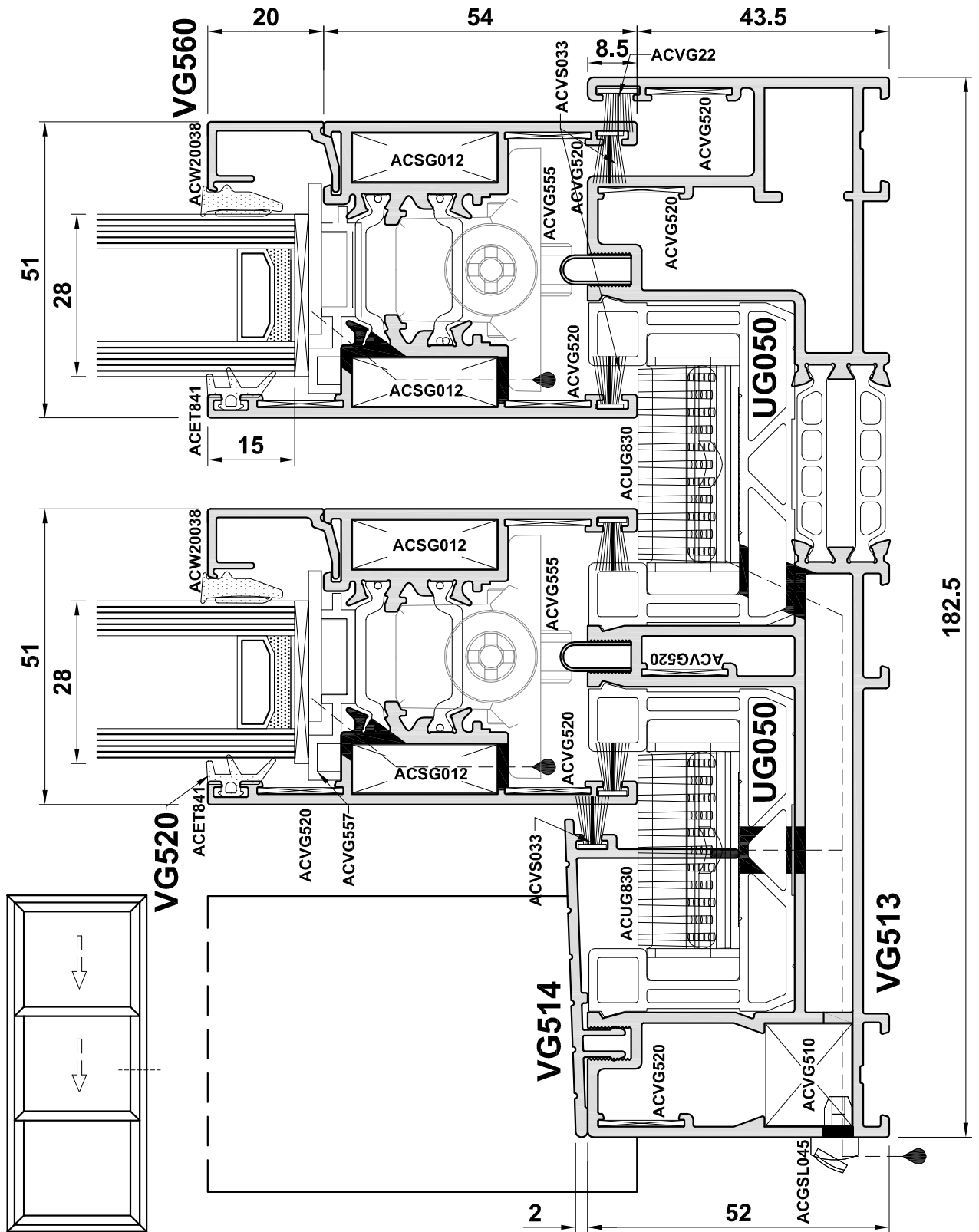


Detail 7A



Do Not Scale From This Drawing

**Detail 7C**



**Do Not Scale From This Drawing**